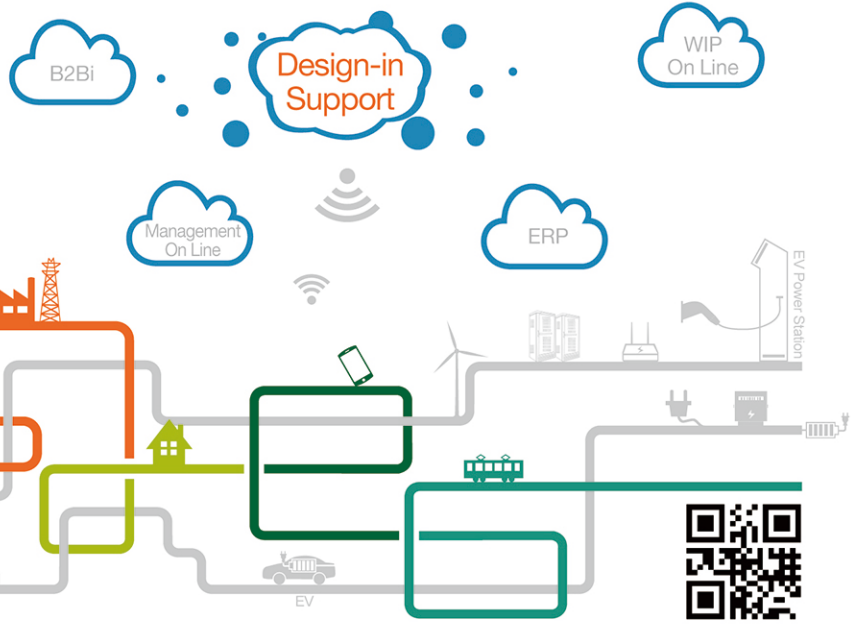




WHEN IT COMES TO POWER SOLUTIONS, JINTAI IS THE

Inspiring Power

TO SUPPORT YOU IN MAKING REAL.



产品性能：

肖特基势垒二极管（SBD）是金属—半导体结原理制作的多数载流子二极管。正向压降VF小，反向恢复时间极短（可以小到几纳秒）。属低功耗、超高速半导体器件。

应用

多用作高频、低压、大电流整流二极管、续流二极管、保护二极管，在通信电源、变频器等中比较常见。

Remark: Here are the main products, but we also support for design-in service according to customer demand. Pls feel free to contact with our authorized agent or the sales.

SCHOTTKY BARRIER REIFIER

DO系列、SM系列、SOD系列

TYPE	IF(A)	VB/VRRM (V)	VF@IF		IR(uA)
			VF(V)	IF(A)	
1A45	1	45	0.55	1	500
2A45	2	45	0.55	2	500
3A45	3	45	0.55	3	500
5A45	5	45	0.55	5	500
1A50	1	50	0.70	1	500
2A50	2	50	0.70	2	500
3A50	3	50	0.70	3	500
5A50	5	50	0.70	5	500
1A60	1	60	0.70	1	500
2A60	2	60	0.70	2	500
3A60	3	60	0.70	3	500
5A60	5	60	0.70	5	500
1A80	1	80	0.85	1	500
2A80	2	80	0.85	2	500
3A80	3	80	0.85	3	500
5A80	5	80	0.85	5	500
1A100	1	100	0.85	1	500
2A100	2	100	0.85	2	500
3A100	3	100	0.85	3	500
5A100	5	100	0.85	5	500

SCHOTTKY BARRIER REIFIER

TO系列、ITO系列

TYPE	IF(A)	VB/VRRM (V)	VF@IF		IR(uA)
			VF(V)	IF(A)	
MBR545	5	45	0.58	5	50
MBR560	5	60	0.62	5	50
MBR580	5	80	0.78	5	50
MBR5100	5	100	0.82	5	50
MBR5120	5	120	0.85	5	50
MBR5150	5	150	0.88	5	50
MBR5200	5	200	0.9	5	50
MBR5300	5	300	0.92	5	50
MBR1045	10	45	0.58	5	50
MBR1060	10	60	0.62	5	50
MBR1080	10	80	0.78	5	50

SCHOTTKY BARRIER REIFIER

TO系列、ITO系列

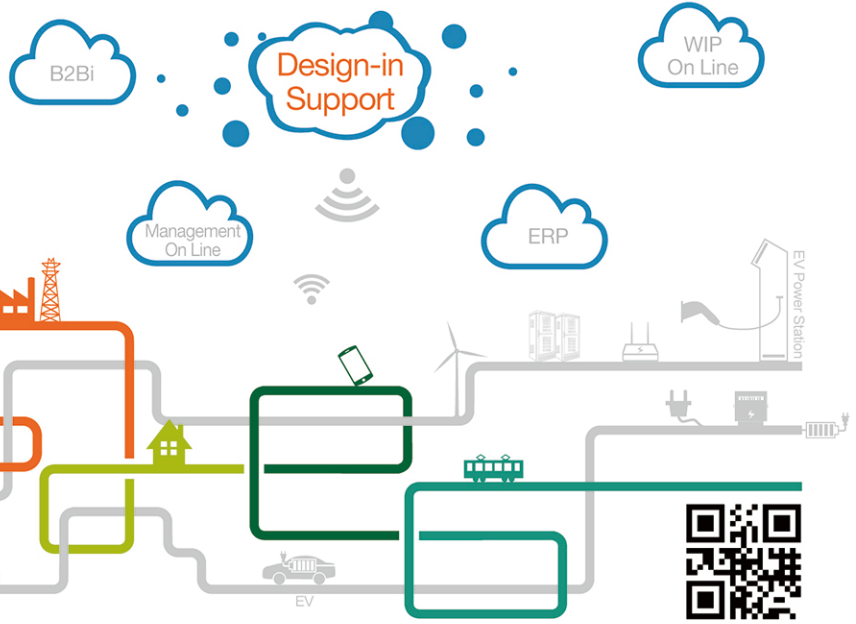
TYPE	IF(A)	VB/VRRM (V)	VF@IF		IR(μA)
			VF(V)	IF(A)	
MBR10100	10	100	0.82	5	50
MBR10120	10	120	0.85	5	50
MBR10150	10	150	0.88	5	50
MBR10200	10	200	0.9	5	50
MBR10300	10	300	0.92	5	50
MBR2045	20	45	0.62	10	50
MBR2060	20	60	0.75	10	50
MBR2080	20	80	0.83	10	50
MBR20100	20	100	0.88	10	50
MBR20120	20	120	0.89	10	50
MBR20150	20	150	0.9	10	50
MBR20200	20	200	0.92	10	50
MBR20300	20	300	0.97	10	50
MBR3045	30	45	0.65	15	50
MBR3060	30	60	0.82	15	50
MBR3080	30	80	0.85	15	50
MBR30100	30	100	0.88	15	50
MBR30120	30	120	0.90	15	50
MBR30150	30	150	0.92	15	50
MBR30200	30	200	0.96	15	50
MBR30300	30	300	1.20	15	50
MBR4045	40	45	0.62	20	50
MBR4060	40	60	0.82	20	50
MBR4080	40	80	0.85	20	50
MBR40100	40	100	0.88	20	50
MBR40120	40	120	0.90	20	50
MBR40150	40	150	0.92	20	50
MBR40200	40	200	0.95	20	50
MBR6045	60	45	0.65	30	50
MBR6060	60	60	0.81	30	50
MBR6080	60	80	0.84	30	50
MBR60100	60	100	0.86	30	50
MBR60120	60	120	0.90	30	50
MBR60150	60	150	0.92	30	50
MBR60200	60	200	0.96	30	50
MBR100100	100	100	1	50	50



WHEN IT COMES TO POWER SOLUTIONS, JINTAI IS THE

Inspiring Power

TO SUPPORT YOU IN MAKING REAL.



产品性能：

超级肖特基整合了低正向压降损失与热稳定性，性能远远优于标准肖特基二极管。

应用

多用作高频、低压、大电流整流二极管、续流二极管、保护二极管，在通信电源、变频器等中比较常见。

Remark: Here are the main products, but we also support for design-in service according to customer demand. Pls feel free to contact with our authorized agent or the sales.

SUPER JUNCTION SCHOTTKY

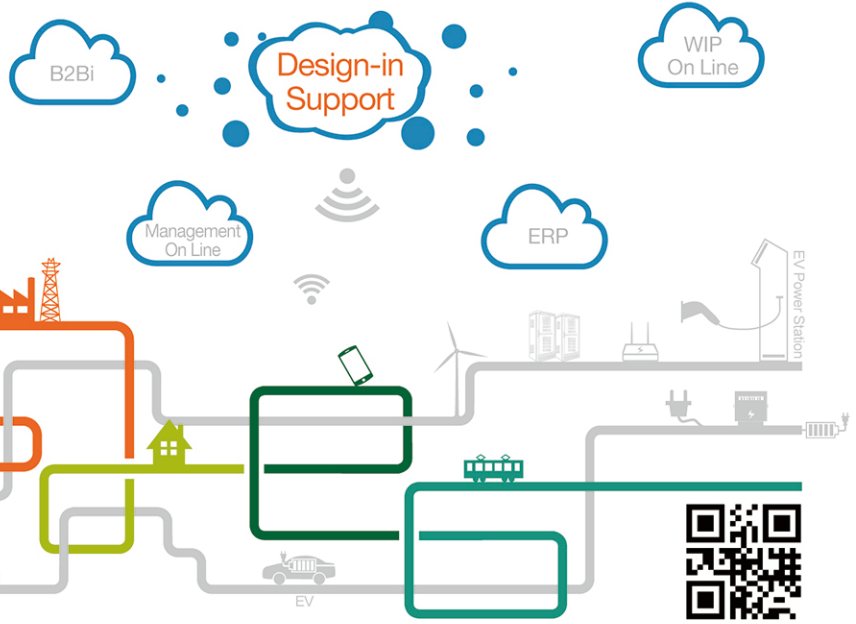
IF (A)	VB/VRRM (V)	VF(V)@IF (V)		IR(μA) @VRRM	
		MAX	Typ.	MAX	Typ.
5	45	0.55	0.5	150	40
5	60	0.51	0.46	150	30
5	100	0.72	0.67	50	10
10	45	0.56	0.51	150	40
10	45	0.48	0.44	200	70
10	45	0.52	0.47	150	50
10	45	0.48	0.44	150	40
10	45	0.45	0.39	200	95
10	45	0.46	0.41	200	80
10	60	0.52	0.48	150	50
10	60	0.45	0.4	300	120
10	80	0.67	0.62	100	25
10	100	0.74	0.7	100	10
10	100	0.7	0.65	100	15
10	100	0.64	0.6	100	15
10	120	0.8	0.75	100	8
10	150	0.83	0.79	50	3
10	200	0.91	0.87	50	3
10	200	0.84	0.8	100	10
10	300	0.98	0.93	2	0.2
15	45	0.47	0.42	300	145
20	45	0.55	0.5	150	30
20	50	0.56	0.51	200	65
20	60	0.6	0.55	150	20
20	60	0.58	0.53	200	80
20	100	0.75	0.71	150	20
20	100	0.69	0.64	150	28
20	120	0.78	0.73	150	30
20	150	0.94	0.89	50	3
20	150	0.86	0.82	150	50
20	150	0.84	0.8	150	40
20	200	0.87	0.83	2	0.2
20	200	0.89	0.85	100	15
30	60	0.6	0.56	200	85
30	60	0.59	0.54	300	120
30	80	0.7	0.66	300	120
30	100	0.75	0.71	100	18



WHEN IT COMES TO POWER SOLUTIONS, JINTAI IS THE

Inspiring Power

TO SUPPORT YOU IN MAKING REAL.



产品性能：

快恢复二极管（FRD）是PIN结型二极管，反向恢复电荷小，反向恢复时间较短，正向压降较低，反向耐压值高，是开关特性好、反向恢复时间短的半导体二极管。

应用

主要应用于开关电源、PWM脉宽调制器、变频器等电子电路中，作为高频整流二极管、续流二极管或阻尼二极管使用。

Remark: Here are the main products, but we also support for design-in service according to customer demand. Pls feel free to contact with our authorized agent or the sales.

SUPER FAST RECTIFIER

DO系列、SM系列、SOD系列

TYPE	IF(A)	VB/VRRM (V)	VF@IF		TRR(NS)	IR(μA)
			VF(V)	IF(A)		
1A200	1	200	1.3	1	35-150	5
1A300	1	300	1.3	1	35-150	5
1A400	1	400	1.3	1	35-150	5
1A500	1	500	1.8	1	35-150	5
1A600	1	600	1.8	1	35-150	5
1A800	1	800	1.8	1	35-150	5
1A1000	1	1000	1.8	1	35-150	5
2A200	2	200	1	2	35-150	5
2A400	2	400	1.3	2	35-150	5
2A600	2	600	1.7	2	35-150	5
2A800	2	800	1.7	2	35-150	5
2A1000	2	1000	1.7	2	35-150	5
3A200	3	200	1	3	35-150	5
3A300	3	300	1.3	3	35-150	5
3A400	3	400	1.3	3	35-150	5
3A600	3	600	1.7	3	35-150	5
3A800	3	800	1.7	3	35-150	5
3A1000	3	1000	1.7	3	35-150	5
5A200	5	200	1	5	35-150	5
5A300	5	300	1.3	5	35-150	5
5A400	5	400	1.3	5	35-150	5
5A600	5	600	1.7	5	35-150	5

SUPER FAST RECTIFIER

TO系列、ITO系列

TYPE	IF(A)	VB/VRRM (V)	VF@IF		TRR(NS)	IR(μA)
			VF(V)	IF(A)		
SF503	5	300	1.4	5	35-50	10.0
SF504	5	400	1.5	5	35-50	10.0
SF506	5	600	1.7	5	35-50	10.0
SF512	5	1200	2.9	5	35-75	10.0
SF802	8	200	1	8	35-50	10.0
SF803	8	300	1.4	8	35-50	10.0
SF804	8	400	1.5	8	35-50	10.0
SF806	8	600	1.7	8	35-50	10.0

SUPER FAST RECTIFIER

TO系列、ITO系列

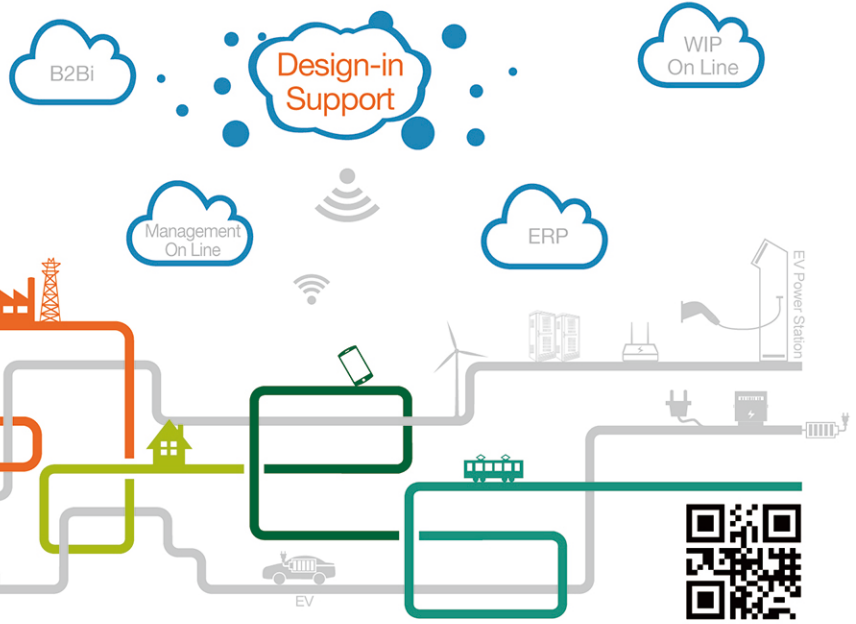
TYPE	IF(A)	VB/VRRM (V)	VF@IF		TRR(NS)	IR(μA)
			VF(V)	IF(A)		
SF807	8	700	2.2	8	35-50	10.0
SF808	8	800	2.5	8	35-50	10.0
SF812	8	1200	3.2	8	35-75	10.0
SF1002	10	200	1.1	10	35-50	10.0
SF1003	10	300	1.4	10	35-50	10.0
SF1004	10	400	1.5	10	35-50	10.0
SF1006	10	600	1.7	10	35-50	10.0
SF1007	10	700	1.9	10	35-50	10.0
SF1012	10	1200	3.3	10	35-75	10.0
SF2002	20	200	1.1	10	35-50	10.0
SF2003	20	300	1.4	10	35-50	10.0
SF2004	20	400	1.5	10	35-50	10.0
SF2006	20	600	1.7	10	35-50	10.0
SF2007	20	700	1.9	10	35-50	10.0
SF2012	20	1200	3.3	10	35-75	10.0
SF2002	20	200	1.2	20	35-50	10.0
SF2003	20	300	1.4	20	35-50	10.0
SF2006	20	600	2.5	20	35-50	10.0
SF3002	30	200	1.5	15	35-50	10.0
SF3003	30	300	1.8	15	35-50	10.0
SF3004	30	400	2.4	15	35-50	10.0
SF3006	30	600	2.8	15	35-50	10.0
SF3012	30	1200	3.3	15	35-75	10.0
SF3003	30	300	1.4	30	35-50	10.0
SF3006	30	600	1.7	30	35-50	10.0
SF3012	30	1200	3.5	30	35-75	10.0



WHEN IT COMES TO POWER SOLUTIONS, JINTAI IS THE

Inspiring Power

TO SUPPORT YOU IN MAKING REAL.



产品性能：

桥堆是一种电子元件，内部由多个二极管组成。

应用

主要作用是整流，使用方便，内部的四个管子其性能较接近，工作时性能更稳定。

Remark: Here are the main products, but we also support for design-in service according to customer demand. Pls feel free to contact with our authorized agent or the sales.

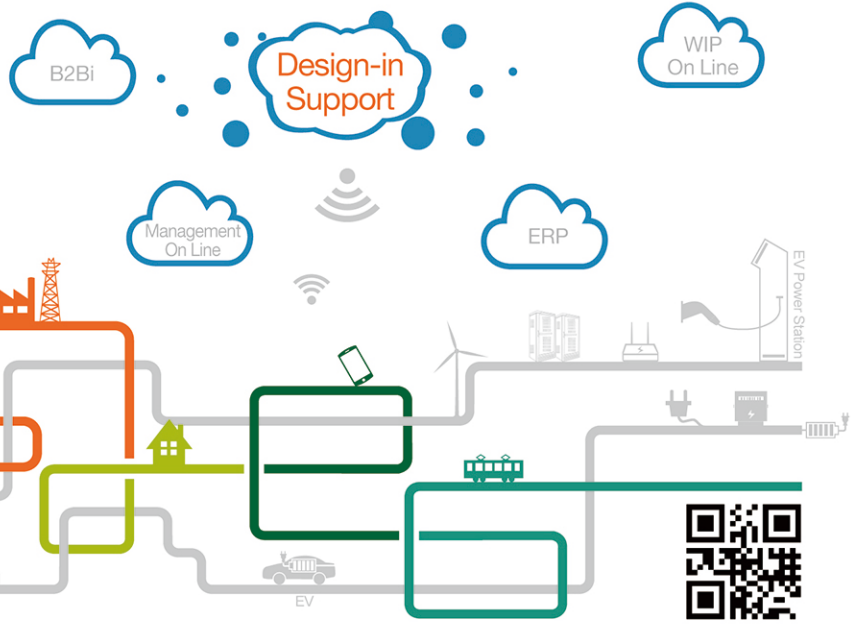
BRIDGE						
TYPE	IF(A)	VB/VRRM (V)	VF@IF		IR(μA)	
			VF(V)	IF(A)		
0.8A600V	0.8	600	0.4	1	500	
0.8A800V	0.8	800	0.4	1	500	
0.8A1000V	0.8	1000	0.4	1	500	
2A600V	2	600	1	1	500	
2A800V	2	800	1	1	500	
2A1000V	2	1000	1	1	500	
4A600V	4	600	2	1	500	
4A800V	4	800	2	1	500	
4A1000V	4	1000	2	1	500	
6A600V	6	600	3	1	10	
6A800V	6	800	3	1	10	
6A1000V	6	1000	3	1	10	
8A600V	8	600	4	1	10	
8A800V	8	800	4	1	10	
8A1000V	8	1000	4	1	10	
10A600V	10	600	5	1.1	10	
10A800V	10	800	5	1.1	10	
10A1000V	10	1000	5	1.1	10	
15A600V	15	600	7.5	1.1	10	
15A800V	15	800	7.5	1.1	10	
15A1000V	15	1000	7.5	1.1	10	



WHEN IT COMES TO POWER SOLUTIONS, JINTAI IS THE

Inspiring Power

TO SUPPORT YOU IN MAKING REAL.



产品性能：

功率MOS 驱动电路简单，驱动功率小，开关速度快，耐高压（可达1200V），工作电流大(1.5-100A)。热稳定性好、噪声小、功耗低、安全工作区域宽等优点。

应用

功率半导体开关器件等。

Remark: Here are the main products, but we also support for design-in service according to customer demand. Pls feel free to contact with our authorized agent or the sales.

N-CHANNEL & P-CHANNEL MOSFET

TYPE	BVDSS/V		Ids/A	Rdson/mΩ		Vgs(th) max (V)	Ciss (pf)	Qg (nc)
	Min	Max						
MP03F48	-30	-48	13.5	-2.5	3448	33		
MP03F13	-30	-13.5	13	-2.5	3090	35		
MP04F07	-40	-7.5	40	-2.5	1010	9		
MP04F08	-40	-8.6	32	-2.5	1405	11		
MN06F11	60	11	20	2.5	2420	17.8		
MN06F08	60	8	12	2.5	3235	24		
MN06F13	60	13	8.5	2.5	3307	57		
MP06F18	60	18	6.5	2.5	4006	75		
MP06F40	60	40	16	2.5	2423	19.3		
MN06F52	60	52	12	2.5	3240	53.3		
MN06F74	60	75	8.5	2.5	3307	57		
MN06F116	60	116	5.2	2.5	4706	75		
MP08F62	80	62	12	2.5	3120	60		
MN10F08	100	8	24	2.5	3307	57		
MN10F11	100	11	14	2.5	4708	75		
MN10F13	100	13.5	8	2.5	3320	45		
MN10F58	100	58	18.5	2.5	1930	36		
MN10F64	100	64	14	2.5	4706	75		
MN10F124	100	124	8.5	4	57	12600		
MN10F139	100	139	6	4	144	15700		
MN15L02	150	2.2	375	3	10.2	543		
MN15L05	150	4.7	71	4	35.1	1234		
MN15L07	150	7.4	360	3	8.75	538		
MN15L23	150	23.2	72	4	36.3	3260		
MN20L09	200	9	400	4	25.9	2610		
MN25L05	250	4.6	1800	3.5	17	1170		
MN25L17	250	17.1	265	4	35.4	3480		
MN30L05	300	4.5	1250	3.5	31.9	2680		

SUPER JUNCTION MOSFET

TYPE	BVDSS/V		Ids/A	Rdson/mΩ		Vgs(th) max (V)	Ciss (pf)	Qg (nc)
	Min	Max						
MN50C06S	500	7.6	0.55	4.5	380	25		
MN50C24S	500	24	0.14	4.5	1440	90		
MN50C18S	500	18	0.24	4.5	800	43		
MN50C11S	500	11	0.38	4.5	550	35		
MN50C14S	500	14	0.29	4.5	680	38		
MN55H23S	550	23	0.14	4	1408.1	24.1		
MN60H02S	600	2	2.2	4	117.6	4.8		
MN60H03S	600	3	1.8	4	175	7		

SUPER JUNCTION MOSFET

TYPE	BVDSS/V	Ids/A	Rdson/mΩ	Vgs(th) max (V)	Ciss (pf)	Qg (nc)
	Min		Max			
MN60H04S	600	4	1.2	4	259.6	6.8
MN60H05S	600	5	0.9	4	343	8.7
MN60H07S	600	7	0.67	4	343	8.7
MN60H08S	600	8	0.58	4	464	9.5
MN60H11S	600	11	0.38	4	690	13
MN60H15S	600	15	0.26	4	1016	17.8
MN60H20S	600	20	0.18	4	1440	23.3
MN60H23S	600	23	0.15	4	1356	23
MN60H40S	600	40	0.092	4	3009.7	44.9
MN60H47S	600	47	0.07	4	2933	47
MN60H78S	600	78	0.04	4	8940	163
MN65H02S	650	2	2.4	4	118	5.7
MN65H03S	650	3	2	4	175	7
MN65H04S	650	4	1.4	4	259.9	8.2
MN65H05S	650	5	0.9	4	343	8.7
MN65H07S	650	7	0.76	4	343	8.7
MN65H08S	650	8	0.58	4	468	9.5
MN65H10S	650	10	0.46	4	761.1	11.5
MN65H11S	650	11	0.38	4	690	1.3
MN65H15S	650	15	0.29	4	986	18
MN65H20S	650	20	0.2	4	144	23.3
MN65H38S	650	38	0.099	4	3073	42.5
MN65H53S	650	53	0.069	4	4652.2	60.2
MN65H78S	650	78	0.042	4	7099.7	120
MN70H04S	700	4	1.4	4	263.2	7.5
MN70H05S	700	5	1	4	363.6	7.3
MN70H07S	700	7	0.75	4	459	9.2
MN70H10S	700	10	0.5	4	715.2	12.3
MN70H12S	700	12	0.35	4	1007.1	16.7
MN80C10S	800	10	0.5	4.5	630	13
MN80C13S	800	13	0.39	4.5	800	17.5
MN80C09S	800	9	0.6	4.5	510	12
MN80C18S	800	18	0.24	4.5	1290	27.5
MN80C04S	800	4	1.3	4.5	290	9
MN80C06S	800	6	0.85	4.5	380	9.5
MN90C04S	900	4	1.5	4.5	320	15
MN90C08S	900	8	0.75	4.5	550	35

MHCHXM

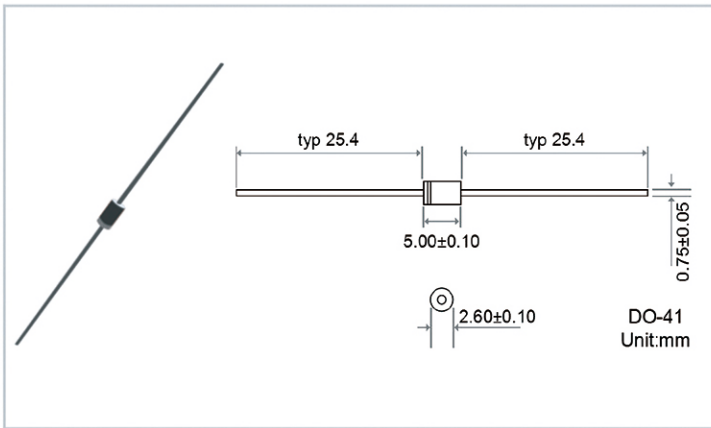
WHEN IT COMES TO POWER SOLUTIONS, JINTAI IS THE

Inspiring Power

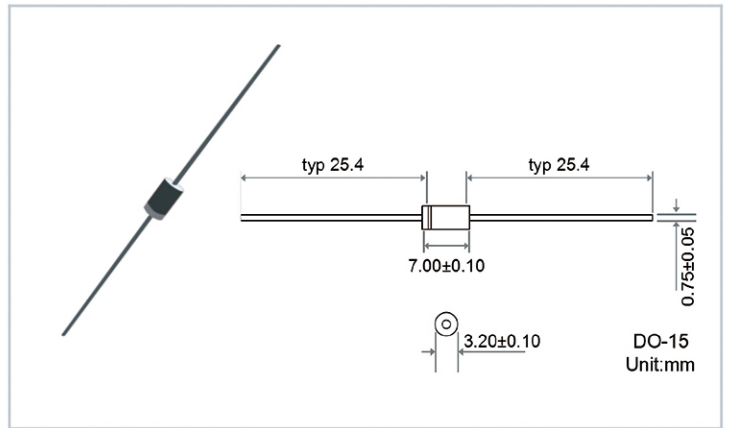
TO SUPPORT YOU IN MAKING REAL.



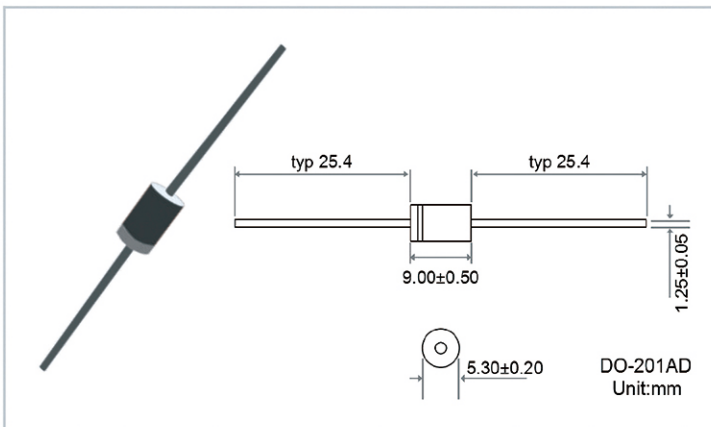
产品封装外形及尺寸



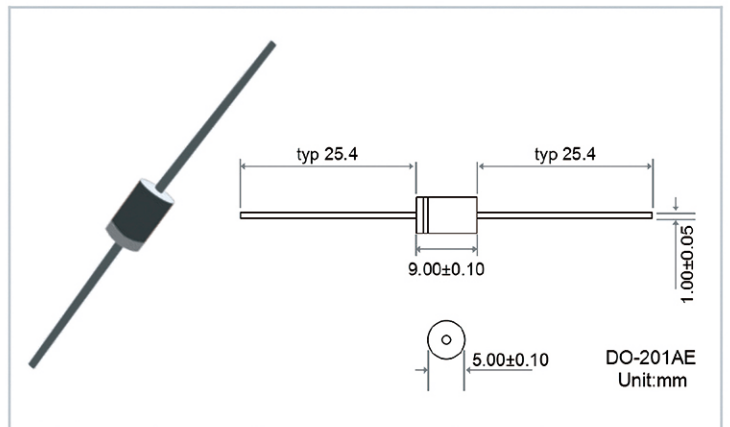
DO-41



DO-15

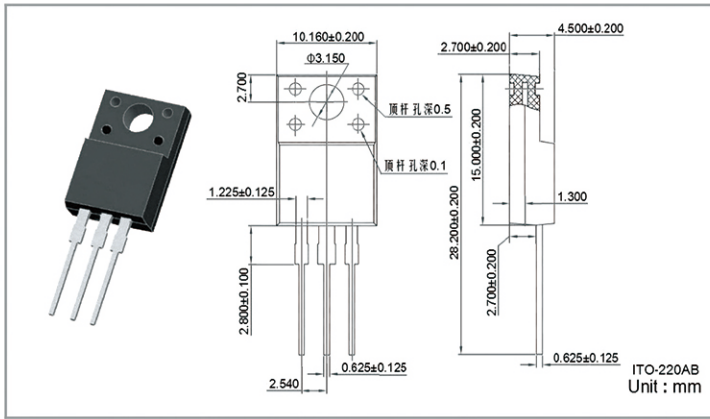


DO-201AD

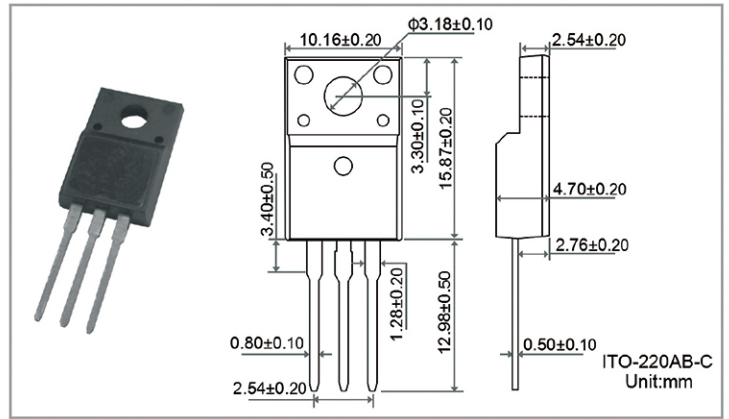


DO-201AE

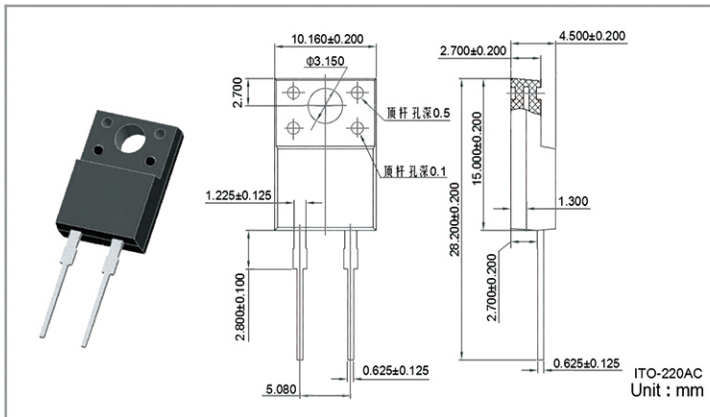
产品封装外形及尺寸



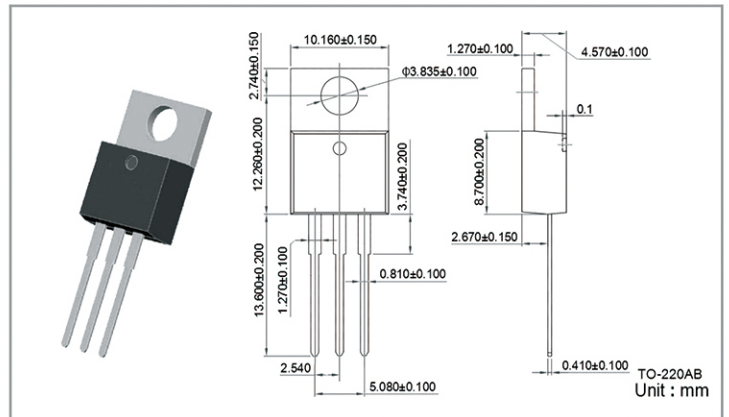
ITO-220AB



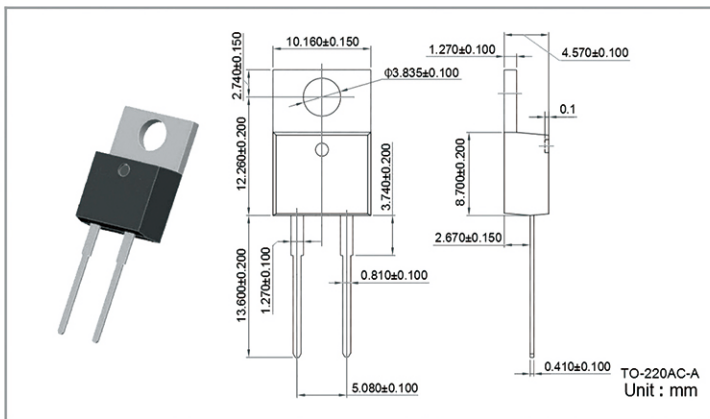
ITO-220AB-C



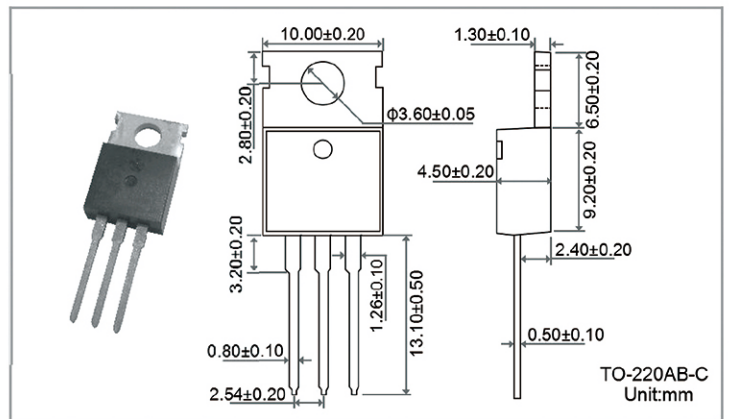
ITO-220AC



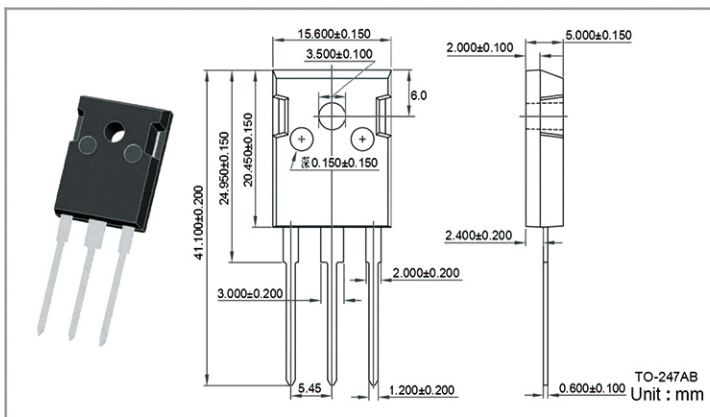
TO-220AB



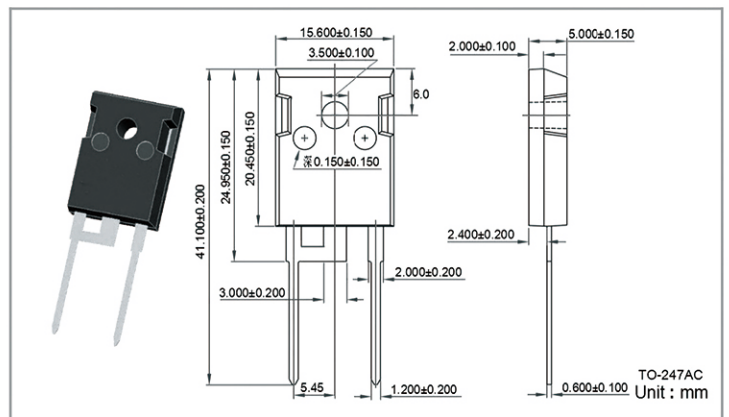
TO-220AC-A



TO-220AB-C

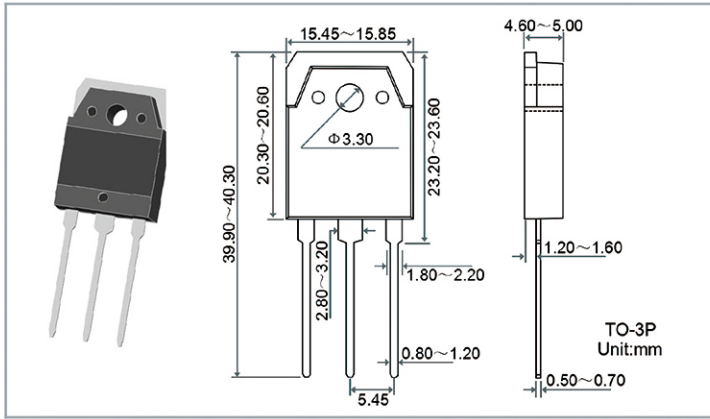


TO-247AB

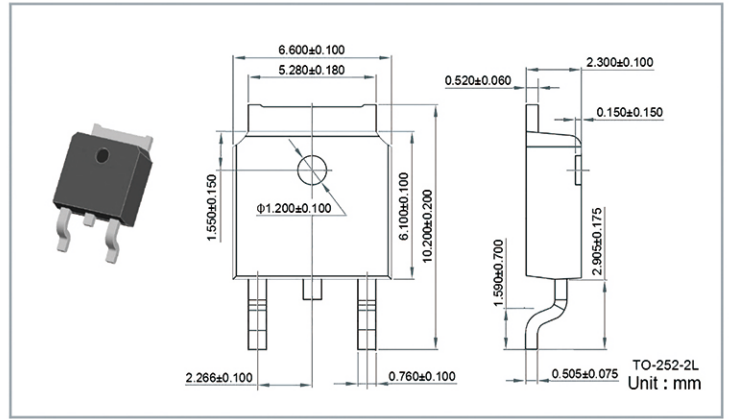


TO-247AC

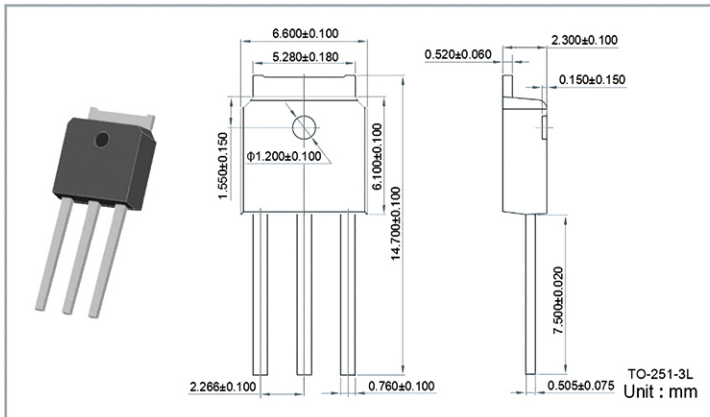
产品封装外形及尺寸



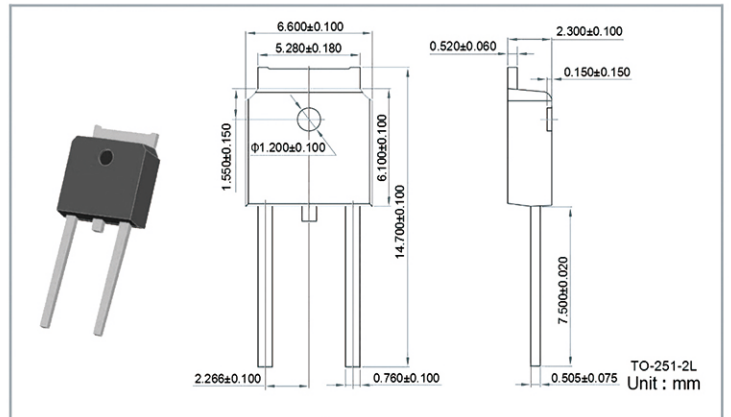
TO-3P



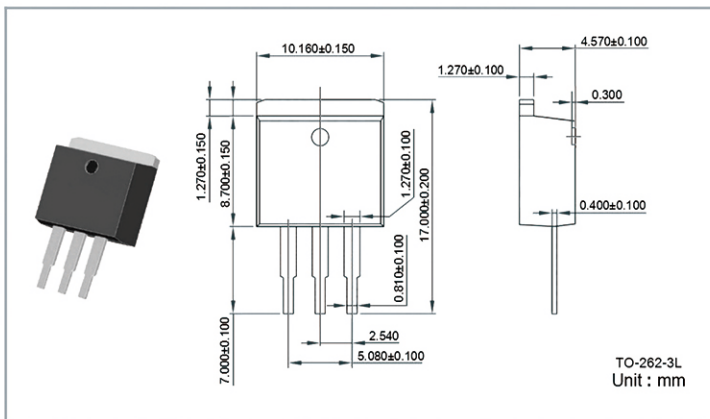
TO-252-2L



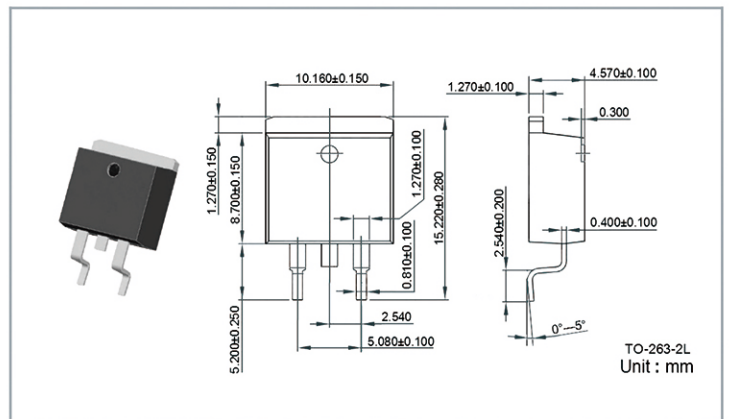
TO-251-3L



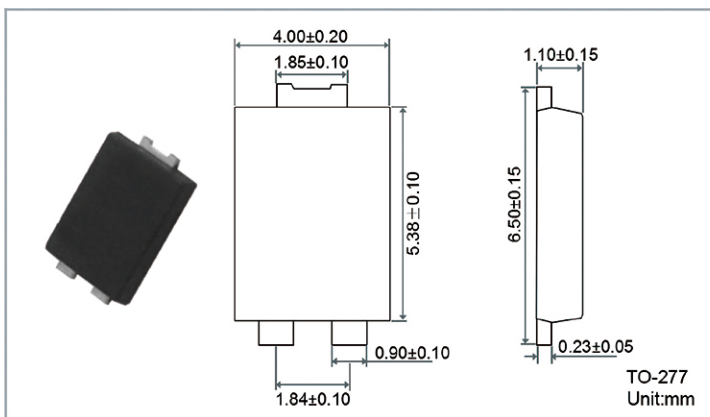
TO-251-2L



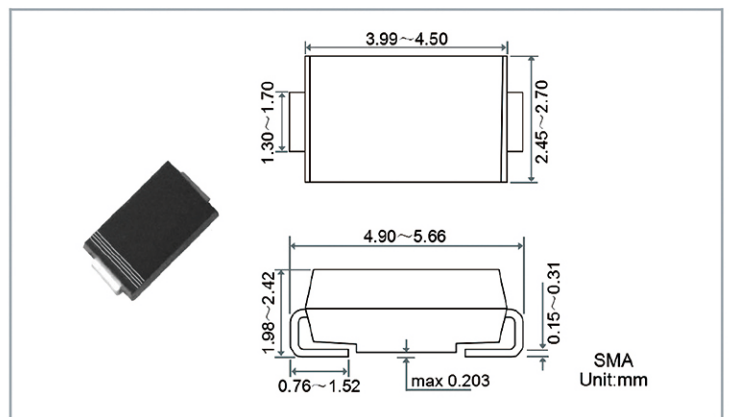
TO-262-3L



TO-263-2L

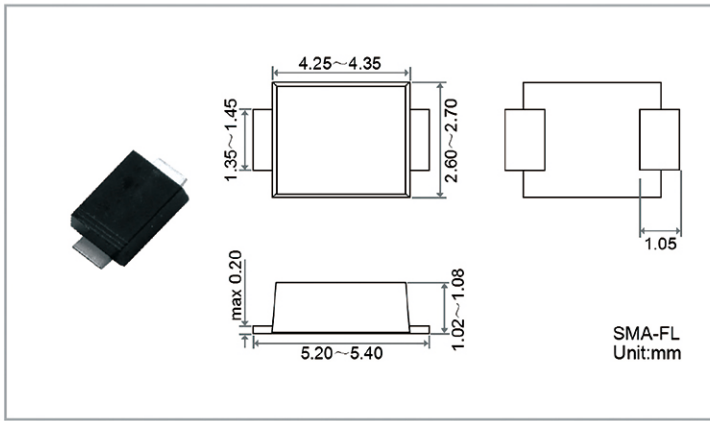


TO-277

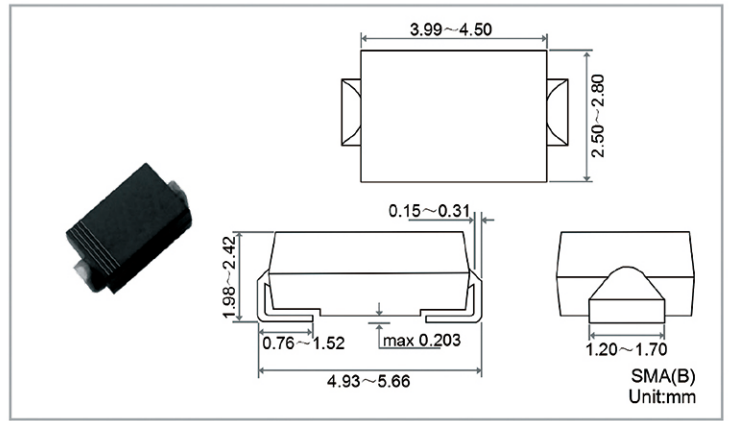


SMA

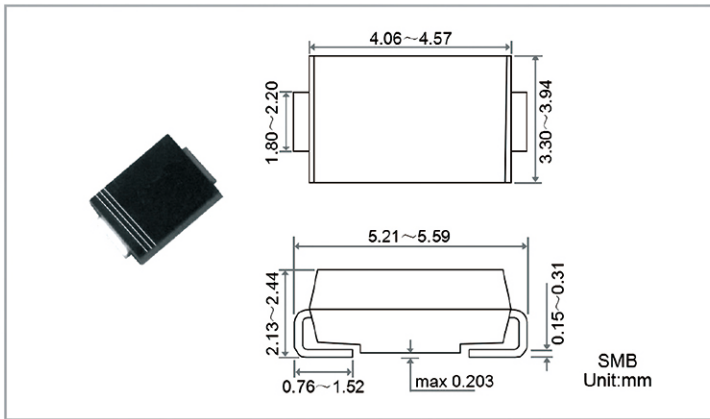
产品封装外形及尺寸



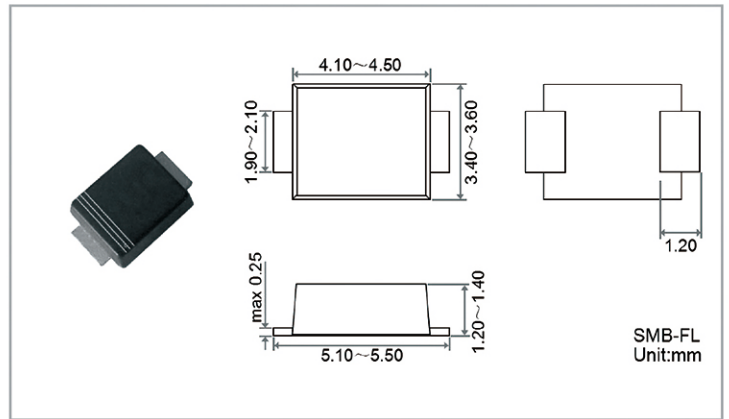
SMA-FL



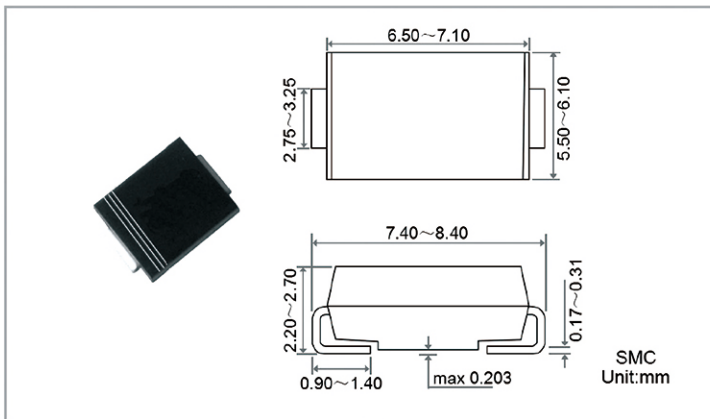
SMA(B)



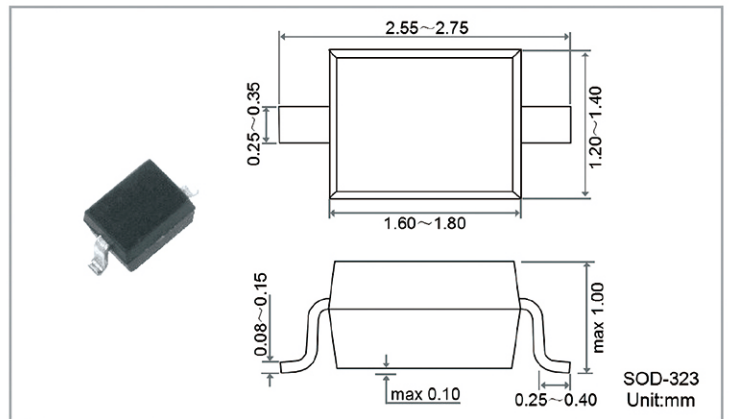
SMB



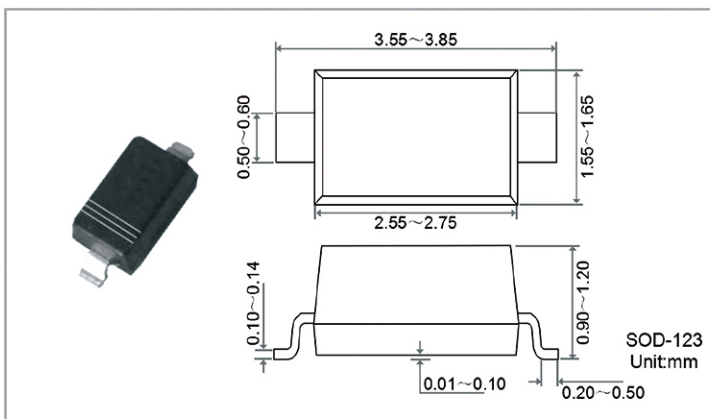
SMB-FL



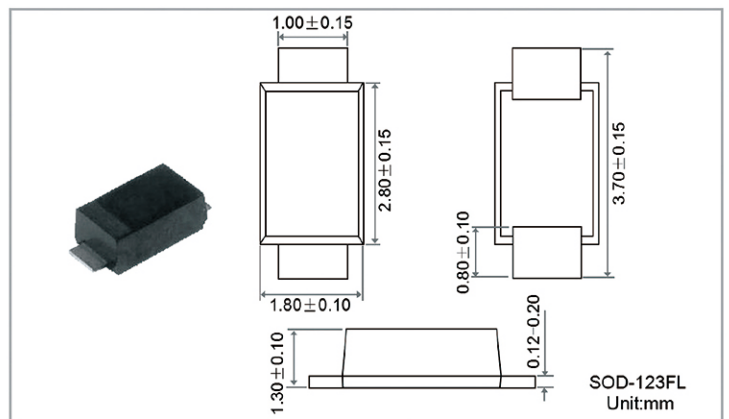
SMC



SOD-323

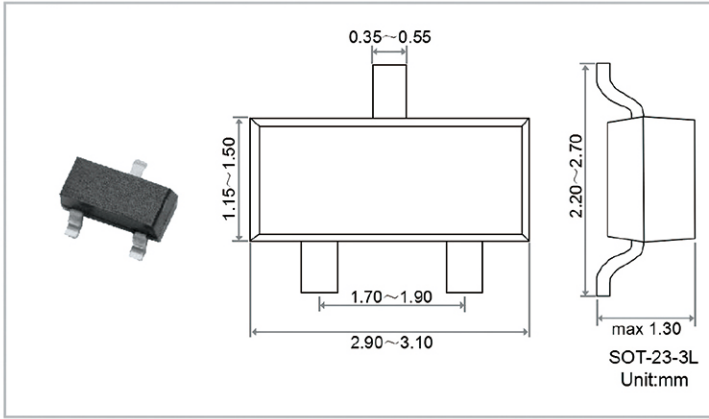


SOD-123

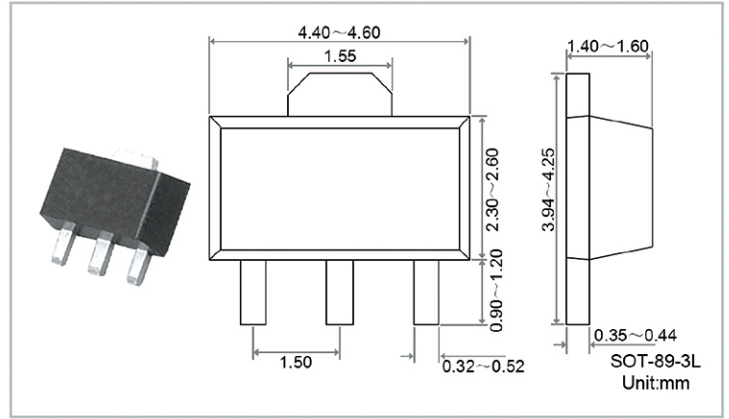


SOD-123FL

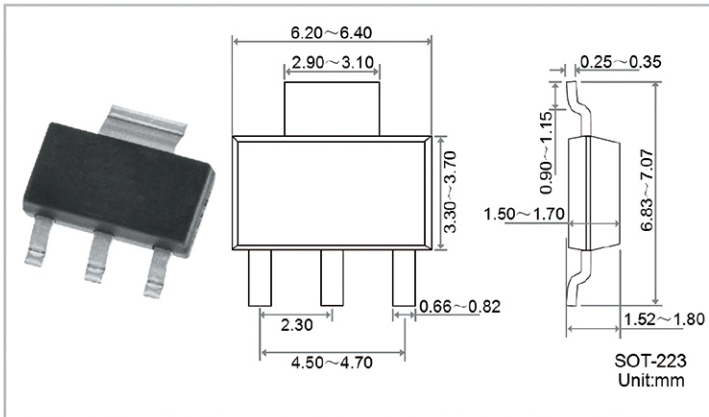
产品封装外形及尺寸



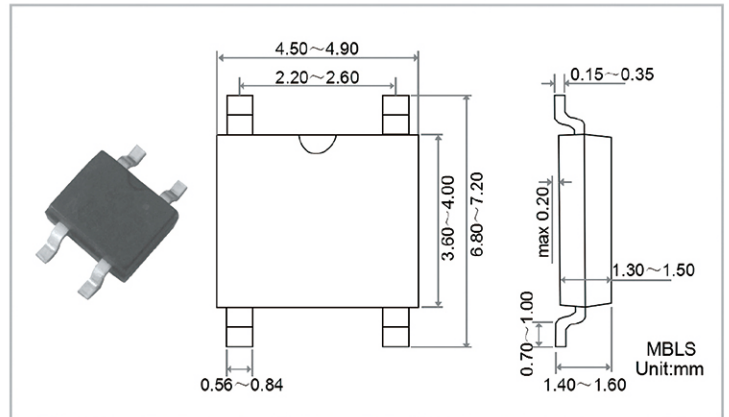
SOT-23-3L



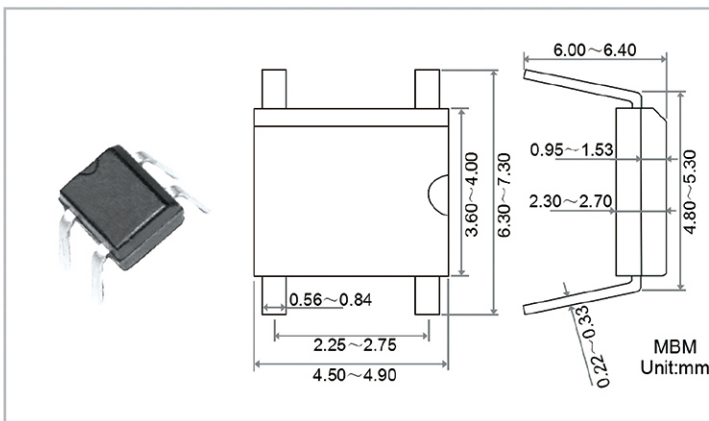
SOT-89-3L



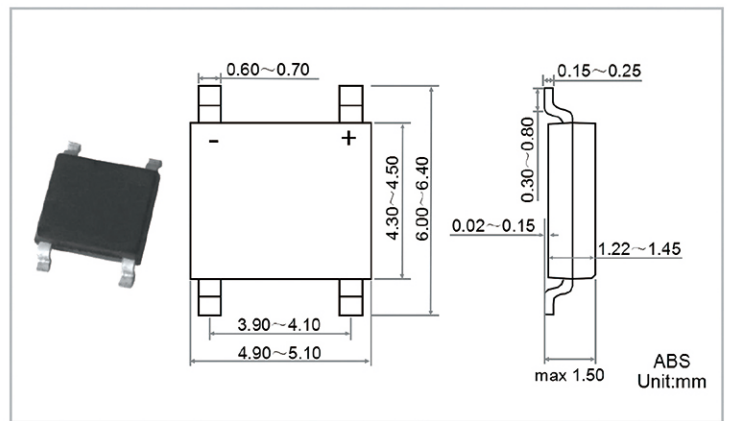
SOT-223



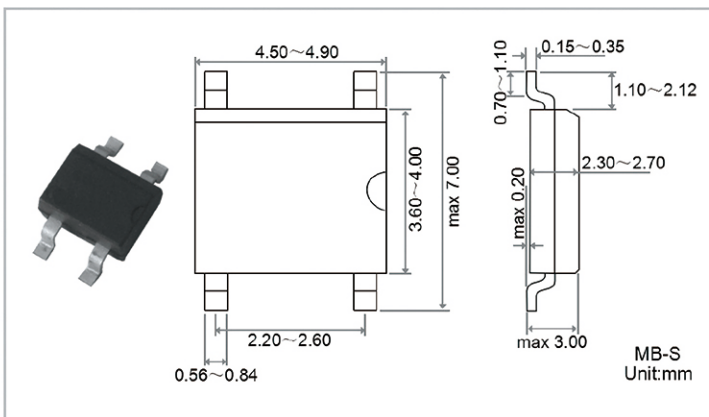
MBLS



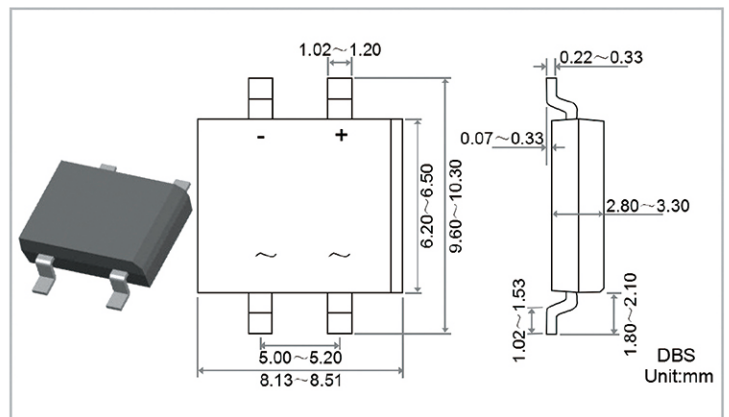
MBM



ABS

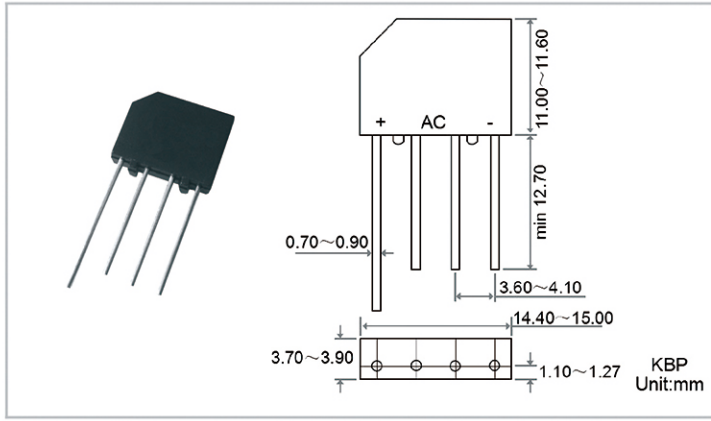


MB-S

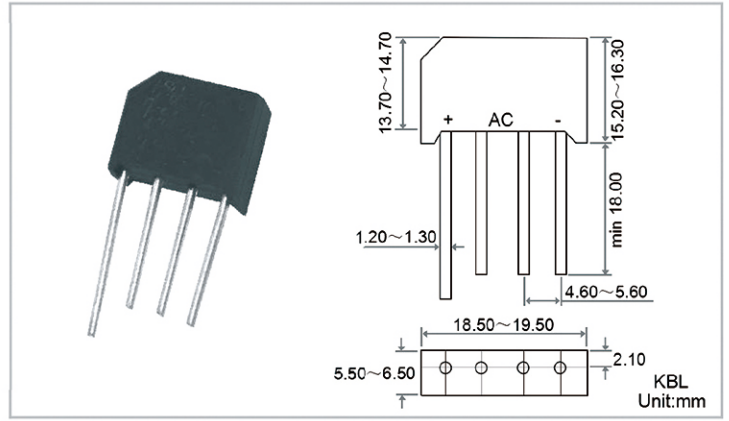


DBS

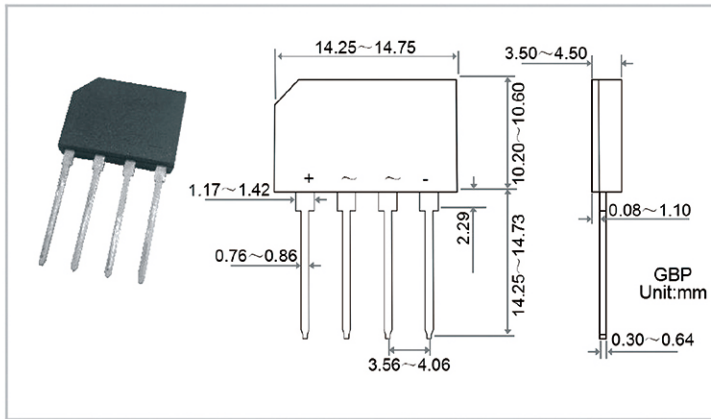
产品封装外形及尺寸



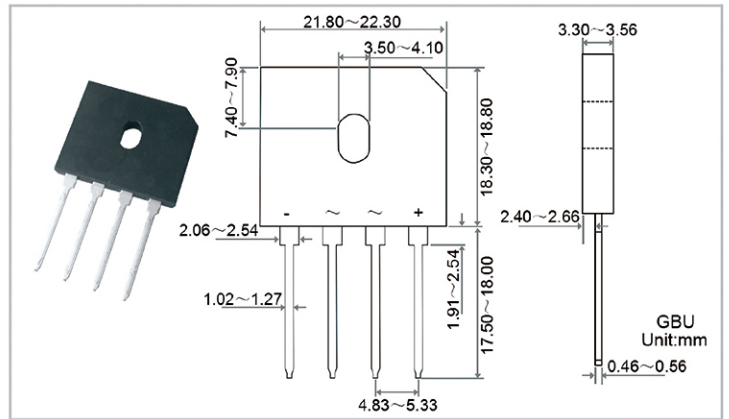
KBP



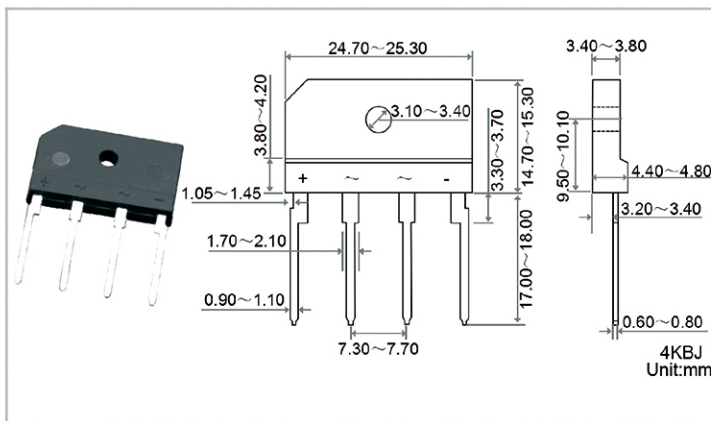
KBL



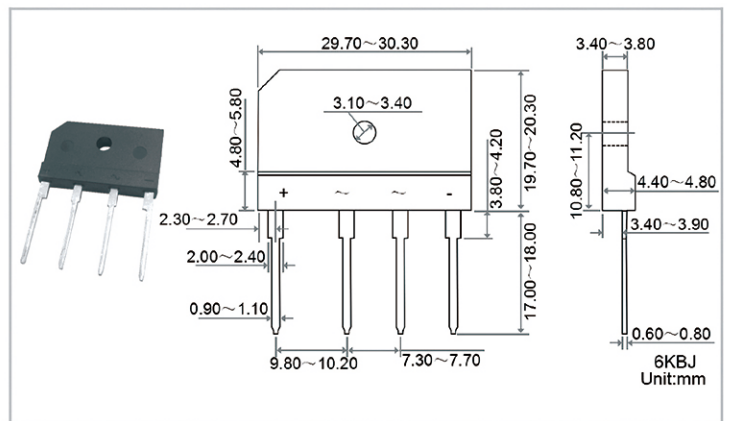
GBP



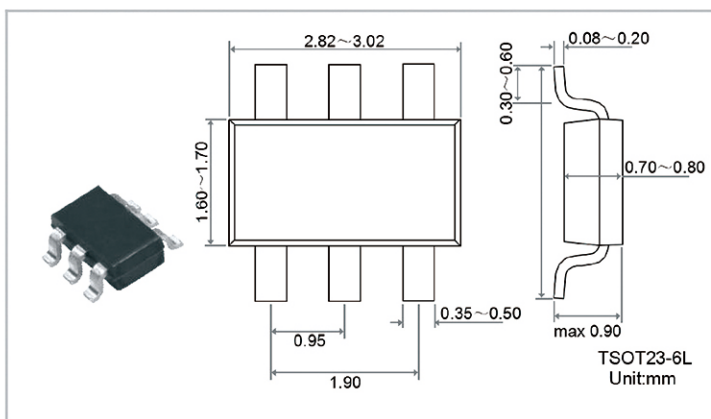
GBU



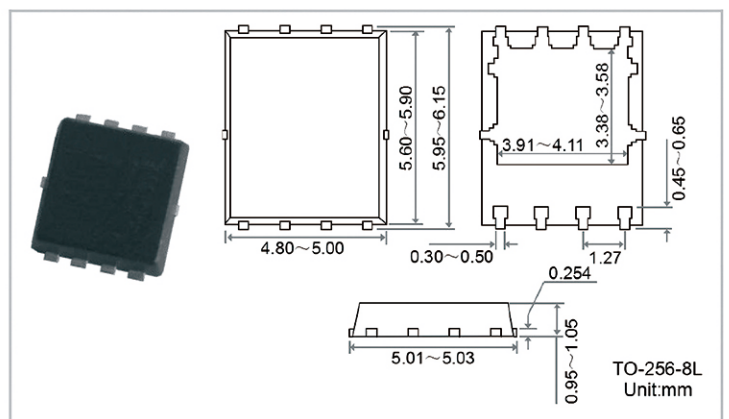
4KBJ



6KBJ



TSOT23-6L



TO-256-8L(PDFN5×6)